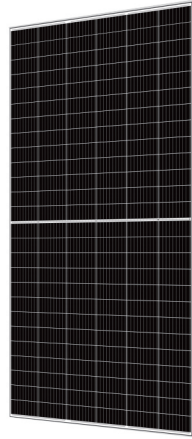


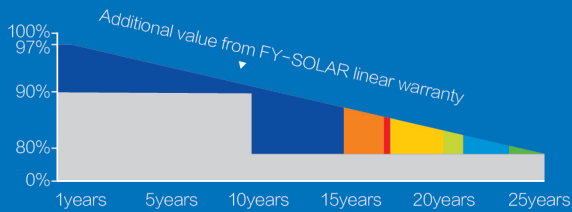
# Mono



## FY-156-585MH

FY-156-580MH    FY-156-585MH  
 FY-156-590MH    FY-156-595MH  
 FY-156-600MH

Linear power guarantee provided by FY-SOLAR  
 Standard warranty



**22%**  
output efficiency

**10year**  
Material & Workmanship warranty

**600W**  
Highest power output

**25year**  
Linear power output warranty

### Certifications for Incentives

- World-class manufacture of crystalline silicon photovoltaic modules
- Fully automatic facility and world -class technology
- Rigorous quality control to meet the highest standard: ISO9001:2015, ISO14001:2015 and OHSAS:18001 2007
- Tested for harsh environments(salt mist, ammonia corrosion and sand blowing test: IEC 61701, IEC 62716, DIN EN 60068-2-68)
- Long term reliability tests  
2\*100% inspection ensuring defect-free modules.

### 25 Year Linear Power Guarantee

- **Commercial**  
10 years on material and manufacturing defects
- **Performance**  
Power not less than 90% of power peak during the first 10 years  
Power not less than 80% of power peak during the subsequent 25 years



## Electrical Characteristics at STC

Type	FY-156-580MH	FY-156-585MH	FY-156-590MH	FY-156-595MH	FY-156-600MH
Maximum Power-Pmax(W)	580W	585W	590W	595W	600W
Tolerance Value for Power-%	0~+3%	0~+3%	0~+3%	0~+3%	0~+3%
Maximum Power Voltage-Vmpp(V)	44.40	44.60	44.80	45.00	45.20
Maximum Power Current-Imp(A)	13.07	13.12	13.17	13.22	13.28
Open Circuit Voltage-Voc(V)	53.30	53.50	53.70	53.90	54.15
Short Circuit Current-Isc(A)	13.81	13.87	13.94	14.01	14.08
Module Efficiency- $\eta$	20.75%	20.93%	21.11%	21.29%	21.46%

Performance at STC: Irradiance of 1000W/m<sup>2</sup> , Module temperature 77 ± 3.6°F(25 ± 2°C)AM 1.5 Power measurement tolerance: ± 3%

## Electrical Characteristics at NOCT

Type	FY-156-580MH	FY-156-585MH	FY-156-590MH	FY-156-595MH	FY-156-600MH
Maximum Power-Pmax(W)	428W	431W	435W	438W	442W
Maximum Power Voltage-Vmpp(V)	39.71	39.86	40.06	40.21	40.41
Maximum Power Current-Imp(A)	10.78	10.82	10.86	10.90	10.94
Open Circuit Voltage(V)-Voc(V)	49.80	50.00	50.20	50.40	50.60
Short Circuit Current(A)-Isc(A)	11.37	11.42	11.47	11.52	11.57

Performance at NOCT: Irradiance 800W/m<sup>2</sup> , Ambient temperature 20°C, Wind speed 1m/SPower measurement tolerance: ± 3%

## Temperature Coefficients(TC)

Temperature Coefficient of VOC( $\beta$ )	-0.29%/°C
Temperature Coefficient of ISC( $\alpha$ )	+0.048%/°C
Temperature Coefficient of P max	-0.35%/°C

## Permissible Operating Conditions

Maximum System Voltage	1000V
Operating Temperature Range	-40°C~+80°C
Maximum Surface Load Capacity	Test up to 5400pa according to IEC61215(Advanced test)
Resistance Against Hail	Maximum diameter of 1in.(25mm) impact speed of 51.5mph(23m/s)

## Mechanical specifications

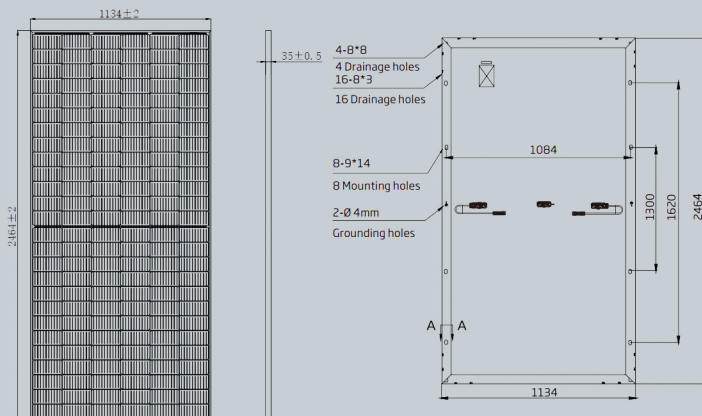
Cells	Monocrystalline cell (182,6X26)
Junction Box	Ip68
Front Glass Thickness	3.2mm
Connecting Cable/Connector	MC4 compatible connector/TUV 1*4.0mm <sup>2</sup> Length 300mm(+), 400mm(-)
Frame Dimension	2464x1134x35mm
Weight	31KG

## Packing Features

Frame Height	35mm
Qty/pallet(pcs)	31
Qty/40HC container(PCS)	558

## FY-156-585MH

### Engineering Drawings



### Electrical Performance & Temperature Dependence

